

GROVE

DIESELMOTOR
DIESEL ENGINE

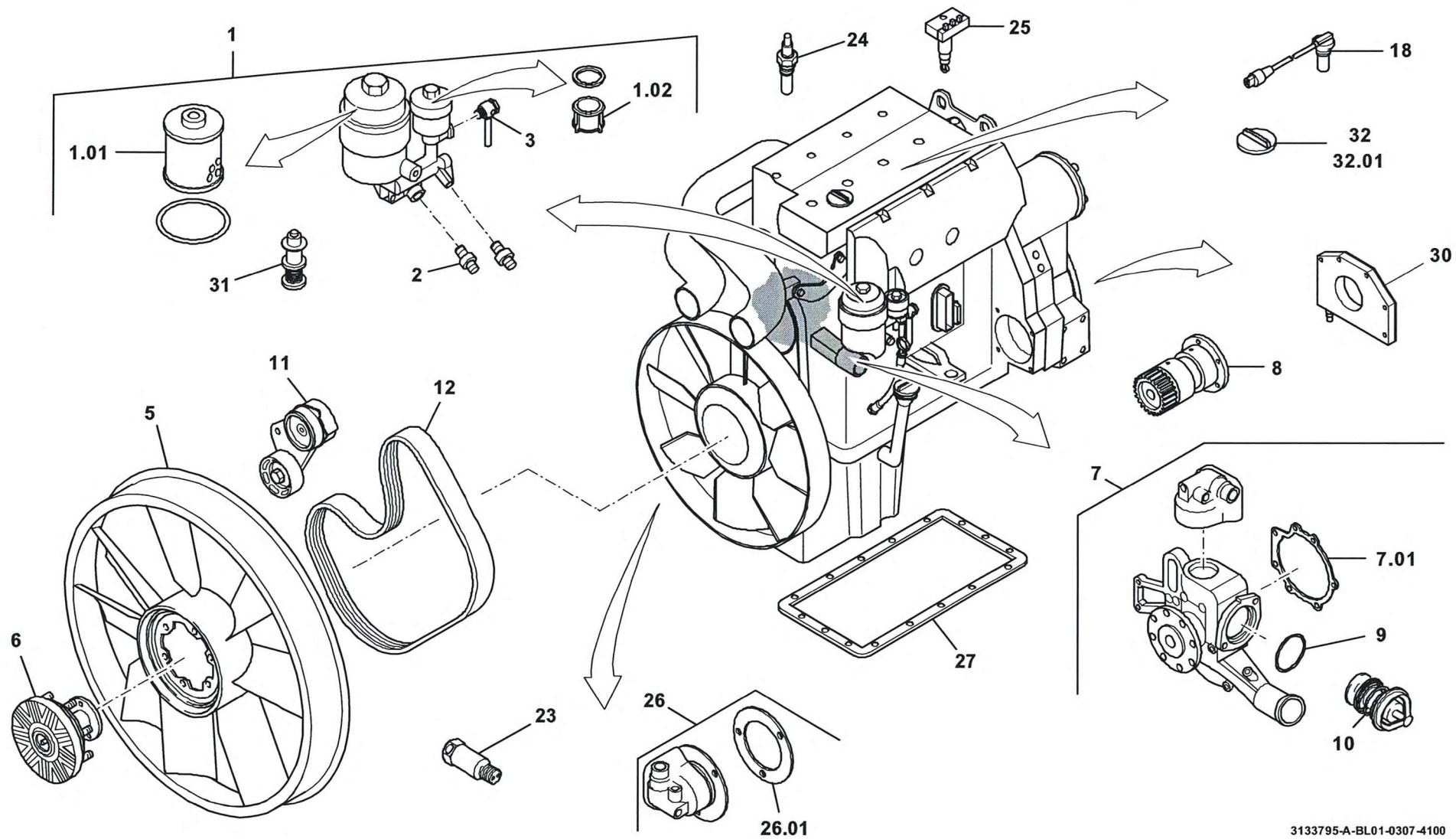
BILDТАFЕL
PICTORIAL DISPLAY

GMK 5095
BE 660
G 626

03.07

3133795-ETL A

1/2



GROVEDIESELMOTOR
DIESEL ENGINEBILDТАFEL
PICTORIAL DISPLAY

03.07

3133795-ETL A

2/2

GMK 5095
BE 660
G 626